

Pegler PB400

2-piece Full Port Brass Ball Valve
yellow lever, female ends

Pegler

DESCRIPTION

The Pegler Yorkshire PB400 is a Full Port Forged Brass Ball Valve suitable for a wide range of flow control applications including HVAC, fuel gas, fire protection, irrigation etc.

These NPT threaded, 2-piece valves combine reliable operation with maximum economy.

FEATURES

- Heavy Pattern Forged Design
- Corrosion Resistant Materials
- Full-Port Flow
- Premium PTFE Seats and Packing
- Adjustable Stem Packing
- Blow-Out Proof Stem
- Silicone Free Assembly
- 100% Factory Tested

APPROVALS

- MSS-SP-110
- IAPMO IGC-157 Ball Valves
- ASME B16.44 (5 PSI)
- ASME B16.33 (125 PSI) (1/2" – 2")
- UL Guides: YSDT, MHKZ, YQNZ, YRBX & YRPV
- UL Guide VQGU (1/4" – 2")

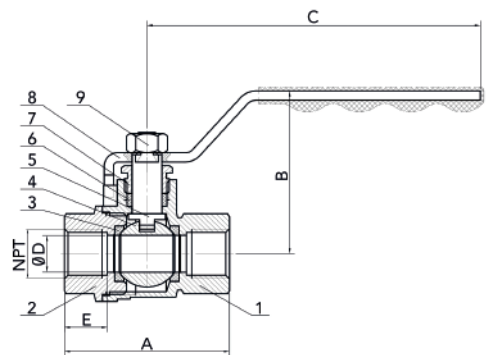


SIZES

Taper / American (NPT) Taper											
Range	1/4"	3/8"	1/2"	3/4"	1"	1 1/4"	1 1/2"	2"	2 1/2"	3"	4"
ANSI (NPT)(Taper)	250002	250003	250004	250005	250006	250007	250008	250009	250010	250011	250012

DIMENSIONS

SIZE	A	B	C	D	E
1/4"	1.756	1.732	3.543	0.394	0.457
3/8"	1.756	1.732	3.543	0.394	0.457
1/2"	2.047	1.941	3.543	0.583	0.520
3/4"	2.362	2.106	3.780	0.748	0.563
1"	2.756	2.579	4.528	0.945	0.630
1 1/4"	3.307	2.961	4.528	1.260	0.709
1 1/2"	3.661	3.366	5.512	1.575	0.717
2"	4.181	3.701	5.512	1.969	0.748
2 1/2"	5.378	4.803	8.661	2.520	1.024
3"	6.039	5.118	8.661	2.913	1.102
4"	7.386	5.984	9.606	3.898	1.220



MATERIAL SPECIFICATION

Component	
1 Body	Brass ASTM B283 alloy C37700
2 Retainers	Brass ASTM B283 alloy C37700
3 Seats	PTFE (Teflon)
4 Ball	Brass ASTM B283, C37700 Chrome Plated
5 Stem	Brass ASTM B283 C37700
6 Stem Packing	PTFE
7 Gland Nut	Brass ASTM B16, C36000
8 Yellow Lever	Plated Steel / Insulated Polyvinyl
9 Stem Nut	A570 GrA

HEAD OFFICE

Pegler Yorkshire Group Limited
St. Catherine's Avenue, Doncaster,
South Yorkshire DN4 8DF, England
Tel: +44 (0) 1302 855 656
Fax: +44 (0) 1302 730 513
Email: info@pegler-yorkshire.co.uk
www.pegler-yorkshire.co.uk

MIDDLE EAST OFFICE

Pegler Yorkshire ME FZE
B-301 Headquarters
Dubai Silicon Oasis
PO Box 502672, Dubai, UAE
Tel: +971 4 501 5929
Fax: +971 4 501 5930
Email: pydubai@mailme.ae

Registered in England Company No. 00401507
Registered Office: Haigh Park Road, Stourton,
Leeds, West Yorkshire, LS10 1RT England
All brand names and logo styles are registered
trademarks. Maintaining a policy of continual
product development, Pegler Yorkshire
reserves the right to change specifications,
design and materials of products listed in this
publication without prior notice.
LIT.REF:



PERFORMANCE RATING

- Rating: 600 CWP (1/4" – 2")
- Rating: 400 CWP (2 1/2" – 4")
- Steam Rating: 150 psi SWP
- Temperature Range: 0°F - 400°F
- Vacuum Service to 29 in. Hg